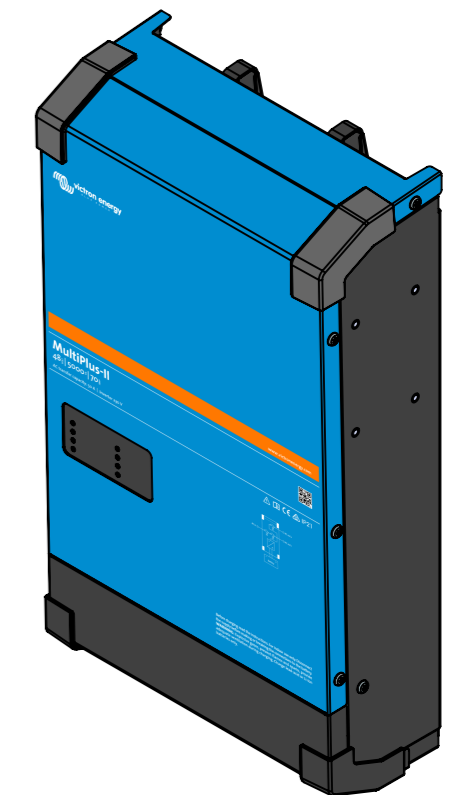
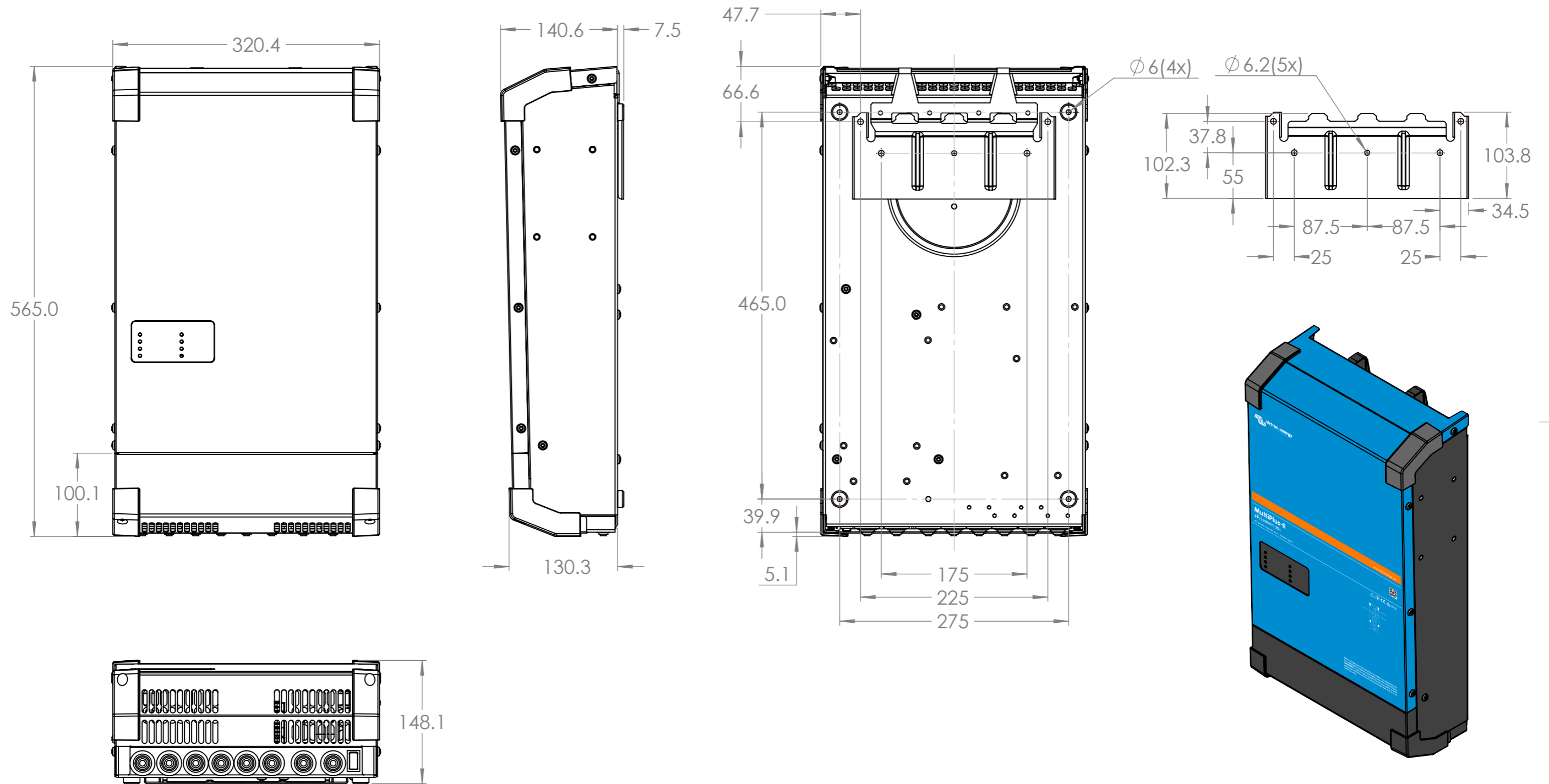


Dimension Drawing - MultiPlus-II
 implemented from Serialnumber HQ2345 onwards

PMP482505010 MultiPlus-II 48/5000/70-50 230V

Dimension Drawing - MultiPlus-II

PMP482505012 MultiPlus-II 48/5000/70-50 230V



Dimensions in mm

